



# RAILWAY RECRUITMENT BOARDS

रेलवे भर्ती बोर्ड

## 2<sup>nd</sup> Stage CBT for ALP & TECHNICIANS (CEN-01/2018)

Roll No:	
Participants Name:	
Test Center Name:	
Test Date:	23/01/2019
Test Time:	12:30 PM - 3:00 PM
Subject:	Part A and Exam Trade : Electronics Mechanic

- Options shown in green color with a tick icon are correct
- Chosen option on top right of the question indicates the option selected by the candidate
- The numbers indicated against the Question ID and Option ID are the numbers to be noted and used for raising objections

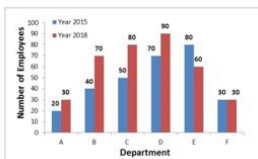
Section : Part A

Q.1 The sum of binary numbers 1100100 and 1101110 is \_\_\_\_\_.

- Ans
- 1. 11110010
  - 2. 11010010
  - 3. 11100110
  - 4. 11001000

Question ID : 7079669327  
Option 1 ID : 70796637308  
Option 2 ID : 70796637307  
Option 3 ID : 70796637305  
Option 4 ID : 70796637306  
Status : Answered  
Chosen Option : 2

Q.2 A company has six departments. The given bar graph shows the number of employees in each department for the years 2015 and 2018. The company added 80 new employees and fired some employees between the years 2015 and 2018. All the employees who were fired were from department C. If the employees of department C had NOT been fired, then the employee strength of department C in 2018 would have been greater by \_\_\_\_\_.



- Ans
- 1. 12.5%
  - 2. 10%
  - 3. 20%
  - 4. 17.5%

Question ID : 7079669370

Option 1 ID : 70796637478  
Option 2 ID : 70796637477  
Option 3 ID : 70796637480  
Option 4 ID : 70796637479  
Status : Answered  
Chosen Option : 2

Q.3 If A \$ B means A is the sister of B, A # B means A is the husband of B and A \* B means A is the daughter of B, then what does P \$ Q \* R # S mean?

- Ans
- 1. S is the sister-in-law of P.
  - 2. S is the grandmother of P.
  - 3. S is the sister of P.
  - 4. S is the mother of P.

Question ID : 7079669359  
Option 1 ID : 70796637434  
Option 2 ID : 70796637435  
Option 3 ID : 70796637433  
Option 4 ID : 70796637436  
Status : Answered  
Chosen Option : 4

Q.4 Which of the following nations is NOT a permanent member of the United Nations Security Council?

- Ans
- 1. Germany
  - 2. China
  - 3. United Kingdom
  - 4. France

Question ID : 7079669277  
Option 1 ID : 70796637105  
Option 2 ID : 70796637108  
Option 3 ID : 70796637107  
Option 4 ID : 70796637106  
Status : Answered  
Chosen Option : 1

Q.5 Which of the following folk dances is from Himachal Pradesh?

- Ans
- 1. Giddha
  - 2. Nati
  - 3. Lezim
  - 4. Bagurumba

Question ID : 7079669285  
Option 1 ID : 70796637138  
Option 2 ID : 70796637139  
Option 3 ID : 70796637140  
Option 4 ID : 70796637137  
Status : Not Answered  
Chosen Option : --

**Q.6** The sentences given in this question, when properly sequenced, form a coherent paragraph. Each sentence is labelled with a letter (the first sentence is not labelled and given for your reference). Choose the most logical order of sentences from among the given choices to construct a coherent paragraph.

There were once two brothers who lived on the edge of a forest.

A: One day, the elder brother went into the forest to find some firewood to sell in the market.

B: As he went around chopping the branches of a tree after tree, he came upon a magical tree.

C: The elder brother was very mean to his younger brother and ate up all the food and took all his good clothes.

D: The tree said to him, 'Oh kind sir, please do NOT cut my branches.'

- Ans
- 1. ACDB
  - 2. CABD
  - 3. ACBD
  - 4. CADB

Question ID : 7079669373  
Option 1 ID : 70796637492  
Option 2 ID : 70796637489  
Option 3 ID : 70796637491  
Option 4 ID : 70796637490  
Status : Answered  
Chosen Option : 2

**Q.7** Find the efficiency of a pump (rated 400 W) that can lift 500 kg of water by 30 m in 10 minutes. (Use  $g = 10\text{m/s}^2$ )

- Ans
- 1. 62.50%
  - 2. 77.50%
  - 3. 84.00%
  - 4. 92.00%

Question ID : 7079669286  
Option 1 ID : 70796637143  
Option 2 ID : 70796637142  
Option 3 ID : 70796637141  
Option 4 ID : 70796637144  
Status : Not Answered  
Chosen Option : --

**Q.8** What is the angle between the hour hand and the minute hand of a clock at quarter past three?

- Ans
- 1.  $8.5^\circ$
  - 2.  $9.5^\circ$
  - 3.  $6.5^\circ$
  - 4.  $7.5^\circ$

Question ID : 7079669349  
Option 1 ID : 70796637394  
Option 2 ID : 70796637396  
Option 3 ID : 70796637393  
Option 4 ID : 70796637395  
Status : Not Answered  
Chosen Option : --

**Q.9** Breathing in about 900 parts of \_\_\_\_\_ in a million parts of air for a short time causes fatigue, dizziness, and headache.

- Ans
- 1. chloroform

- 2. pesticides
- 3. asbestos particles
- 4. arsenic

Question ID : 7079669294  
Option 1 ID : 70796637174  
Option 2 ID : 70796637176  
Option 3 ID : 70796637173  
Option 4 ID : 70796637175  
Status : Answered  
Chosen Option : 1

**Q.1** In this question, two statements are given, followed by three conclusions labelled I, II and III. You have to consider the statements to be true even if they seem to be at variance with commonly known facts, and decide which of the given conclusions, if any, follow(s) from the given statements.

**Statements:**

All mansions are palaces.  
No castles are palaces.

**Conclusions:**

I: Some palaces are mansions.  
II: Some castles are mansions.  
III: No mansions are castles.

- Ans**
- 1. Only conclusion III follows.
  - 2. Only conclusion I follows.
  - 3. Only conclusion I and III follow.
  - 4. All the conclusions, I, II and III, follow.

Question ID : 7079669364  
Option 1 ID : 70796637454  
Option 2 ID : 70796637453  
Option 3 ID : 70796637455  
Option 4 ID : 70796637456  
Status : Answered  
Chosen Option : 2

**Q.1** Which of the following gives the correct relation between power 'P', resistance 'R' and charge 'Q' flowing through a wire in 't' seconds?

- Ans**
- 1.  $PQ = IRt$
  - 2.  $PI = QRt$
  - 3.  $PR = QIt$
  - 4.  $Pt = IRQ$

Question ID : 7079669289  
Option 1 ID : 70796637153  
Option 2 ID : 70796637155  
Option 3 ID : 70796637156  
Option 4 ID : 70796637154  
Status : Answered  
Chosen Option : 1

Q.1 In a certain gear train, the driver has 24 teeth while the follower has 8 teeth. For every \_\_\_\_\_ turns of the driver, the follower turns 36 times.

- Ans
- 1. 12
  - 2. 4
  - 3. 9
  - 4. 10

Question ID : 7079669293  
Option 1 ID : 70796637170  
Option 2 ID : 70796637169  
Option 3 ID : 70796637172  
Option 4 ID : 70796637171  
Status : Not Answered  
Chosen Option : --

Q.1 Two numbers are 10% and 20% less than a third number. By what percentage should the second number be increased to make it equal to the first number?

- Ans
- 1. 12.5%
  - 2. 10%
  - 3. 8%
  - 4. 7.5%

Question ID : 7079669333  
Option 1 ID : 70796637331  
Option 2 ID : 70796637329  
Option 3 ID : 70796637330  
Option 4 ID : 70796637332  
Status : Not Answered  
Chosen Option : --

Q.1 Find the mass (in kg) of kerosene filled up to the brim in a tank of dimensions  $5\text{ m} \times 2\text{ m} \times 1\text{ m}$ . (Density of kerosene is  $800\text{ kg/m}^3$ )

- Ans
- 1. 12,500
  - 2. 8,000
  - 3. 800
  - 4. 1,250

Question ID : 7079669291  
Option 1 ID : 70796637164  
Option 2 ID : 70796637163  
Option 3 ID : 70796637161  
Option 4 ID : 70796637162  
Status : Answered  
Chosen Option : 2

Q.1 Find the value of:

$$16 - (25\% \text{ of } (14 \times 10 \div 35 + 12 \times 10 \div 15))$$

- Ans
- 1. 13
  - 2. 7

3. 11

4. 9

Question ID : 7079669328

Option 1 ID : 70796637312

Option 2 ID : 70796637311

Option 3 ID : 70796637309

Option 4 ID : 70796637310

Status : Answered

Chosen Option : 1

Q.1 A \_\_\_\_\_ projection is an oblique projection in which the depth of the object is shown in full size.

Ans  1. cavalier

2. fisheye

3. orthographic

4. perspective

Question ID : 7079669300

Option 1 ID : 70796637199

Option 2 ID : 70796637200

Option 3 ID : 70796637198

Option 4 ID : 70796637197

Status : Answered

Chosen Option : 2

Q.1 Pipe A can fill a tank in 12 hours. Pipe B can empty it in X hours. If both the pipes are opened together, then the tank will be filled in 30 hours. Find X.

Ans  1. 25

2. 15

3. 24

4. 20

Question ID : 7079669350

Option 1 ID : 70796637398

Option 2 ID : 70796637397

Option 3 ID : 70796637399

Option 4 ID : 70796637400

Status : Not Answered

Chosen Option : --

Q.1 Which element is mostly provided by grains, nuts and chocolates in our diet?

Ans  1. Iodine

2. Chloride

3. Copper

4. Zinc

Question ID : 7079669322

Option 1 ID : 70796637286

Option 2 ID : 70796637287



Option 3 ID : 70796637288  
Option 4 ID : 70796637285  
Status : Answered  
Chosen Option : 4

Q.1  
9 Amit calculated  $\frac{2}{5}$ th of a number instead of calculating  $\frac{2}{15}$ th. His answer was greater than the correct answer by 336. Find the number.

- Ans
- 1. 1344
  - 2. 1008
  - 3. 1260
  - 4. 1680

Question ID : 7079669330  
Option 1 ID : 70796637320  
Option 2 ID : 70796637319  
Option 3 ID : 70796637318  
Option 4 ID : 70796637317  
Status : Not Answered  
Chosen Option : --

Q.2  
0 A statement is given, followed by two conclusions. Decide which of the given conclusions logically follow(s) from the given statement.

**Statement:**

Emotional Quotient is a good predictor of success in career.

**Conclusions:**

I: The top 10 employees in a division will have the top 10 Emotional Quotients.

II: Finding the Emotional Quotient of a candidate will give the hiring company extra useful information.

- Ans
- 1. Only conclusion I follows.
  - 2. Neither conclusion I nor II follows.
  - 3. Both conclusions I and II follow.
  - 4. Only conclusion II follows.

Question ID : 7079669375  
Option 1 ID : 70796637497  
Option 2 ID : 70796637499  
Option 3 ID : 70796637500  
Option 4 ID : 70796637498  
Status : Answered  
Chosen Option : 4

Q.2  
1 If 90 J of work is done in moving a charge of 2,000 coulombs across V volts, find V.

- Ans
- 1. 0.2
  - 2. 2,250
  - 3. 180
  - 4. 0.045

Question ID : 7079669311  
Option 1 ID : 70796637244  
Option 2 ID : 70796637243

Option 3 ID : 70796637242  
Option 4 ID : 70796637241  
Status : Answered  
Chosen Option : 4

Q.2  
2 What is the area (in  $\text{cm}^2$ ) of a regular hexagon of side 10 cm?

- Ans
- 1.  $300\sqrt{3}$
  - 2.  $75\sqrt{3}$
  - 3.  $150\sqrt{3}$
  - 4.  $450\sqrt{3}$

Question ID : 7079669334  
Option 1 ID : 70796637335  
Option 2 ID : 70796637333  
Option 3 ID : 70796637334  
Option 4 ID : 70796637336  
Status : Not Answered  
Chosen Option : --

Q.2  
3 Find the heat capacity of a steel vessel of mass 2.5 kg if its temperature rises by 10 degrees. Specific heat capacity of steel is  $500 \text{ Jkg}^{-1}\text{K}^{-1}$ .

- Ans
- 1.  $200 \text{ Jkg}^{-1}\text{K}^{-1}$
  - 2.  $125 \text{ JK}^{-1}$
  - 3.  $1,250 \text{ JK}^{-1}$
  - 4.  $20 \text{ Jkg}^{-1}\text{K}^{-1}$

Question ID : 7079669307  
Option 1 ID : 70796637226  
Option 2 ID : 70796637227  
Option 3 ID : 70796637225  
Option 4 ID : 70796637228  
Status : Answered  
Chosen Option : 4

Q.2  
4 The hotel Taj Lake Palace, built in the middle of Lake Pichola, is in which city?

- Ans
- 1. Udaipur
  - 2. Jodhpur
  - 3. Bikaner
  - 4. Jaipur

Question ID : 7079669283  
Option 1 ID : 70796637129  
Option 2 ID : 70796637130  
Option 3 ID : 70796637132  
Option 4 ID : 70796637131  
Status : Not Answered  
Chosen Option : --



Q.2 The ratio of the present ages of Leela and her mother is 3:8. The mother was 25 years old when Leela was born. Find  
5 the mother's present age (in years).

- Ans  1. 40  
 2. 52  
 3. 56  
 4. 48

Question ID : 7079669348  
Option 1 ID : 70796637390  
Option 2 ID : 70796637392  
Option 3 ID : 70796637391  
Option 4 ID : 70796637389  
Status : Answered  
Chosen Option : 1

Q.2 If a vendor sells a coconut at ₹32, he incurs a 20% loss. What is the cost price of the coconut?  
6

- Ans  1. ₹48  
 2. ₹40  
 3. ₹44  
 4. ₹36

Question ID : 7079669340  
Option 1 ID : 70796637360  
Option 2 ID : 70796637358  
Option 3 ID : 70796637359  
Option 4 ID : 70796637357  
Status : Answered  
Chosen Option : 2

Q.2 In a certain code, EXACT is written as 91685 and MILK is written as 7243. Using the same code, MELT will be written  
7 as \_\_\_\_\_.

- Ans  1. 5384  
 2. 7945  
 3. 8794  
 4. 9285

Question ID : 7079669355  
Option 1 ID : 70796637417  
Option 2 ID : 70796637420  
Option 3 ID : 70796637418  
Option 4 ID : 70796637419  
Status : Answered  
Chosen Option : 2

Q.2  
8

One statement is given followed by two assumptions labelled I and II. You have to consider the statement to be true, even if it seems to be at variance with commonly known facts, and decide which of the given assumptions is/are implicit in the given statement.

**Statement:**

'Height should be between 5 feet 6 inches and 6 feet.' – One of the conditions for recruiting fighter pilots.

**Assumptions:**

I. Fighter pilots should be presentable as they are role models for the young.

II. Only certain body types can fit in a fighter plane cockpit.

- Ans  1. Only assumption II is implicit.  
 2. Both assumptions I and II are implicit.  
 3. Neither assumption I nor II is implicit.  
 4. Only assumption I is implicit.

Question ID : 7079669369  
Option 1 ID : 70796637474  
Option 2 ID : 70796637476  
Option 3 ID : 70796637475  
Option 4 ID : 70796637473  
Status : Answered  
Chosen Option : 1

Q.2  
9 Choose the word that is different from the rest.

- Ans  1. Pool  
 2. Lake  
 3. Stream  
 4. Pond

Question ID : 7079669367  
Option 1 ID : 70796637467  
Option 2 ID : 70796637466  
Option 3 ID : 70796637468  
Option 4 ID : 70796637465  
Status : Answered  
Chosen Option : 3

Q.3  
0 A alone can paint a wall in 50 days and B alone can do it in 10 days. If A, B and C together can paint the wall in 6.25 days, then in how many days can C alone paint the wall?

- Ans  1. 20  
 2. 25  
 3. 40  
 4. 15

Question ID : 7079669337  
Option 1 ID : 70796637345  
Option 2 ID : 70796637348  
Option 3 ID : 70796637347  
Option 4 ID : 70796637346  
Status : Not Answered  
Chosen Option : --

Q.3  
1 Two litres of superheated water at 190°C is mixed with six litres of cold water at 20°C. Find the final equilibrium temperature (in °C) if no heat is lost.

- Ans
- 1. 47.5
  - 2. 95
  - 3. 55
  - 4. 62.5

Question ID : 7079669316  
Option 1 ID : 70796637262  
Option 2 ID : 70796637264  
Option 3 ID : 70796637263  
Option 4 ID : 70796637261  
Status : Not Answered  
Chosen Option : --

Q.3  
2 Paracetamol is found in first-aid boxes. When/why should these drugs be taken?

- Ans
- 1. To bring relief from asthma.
  - 2. To ease mild pain and reduce high temperature (fever).
  - 3. To ease indigestion and heartburn.
  - 4. To ease the symptoms of hay fever and other allergies.

Question ID : 7079669317  
Option 1 ID : 70796637266  
Option 2 ID : 70796637268  
Option 3 ID : 70796637267  
Option 4 ID : 70796637265  
Status : Answered  
Chosen Option : 2

Q.3  
3 Solve the following.

$$\sqrt{0.2025} + \sqrt{0.12225} = \underline{\hspace{2cm}}$$

- Ans
- 1. 1.2
  - 2. 0.8
  - 3. 0.6
  - 4. 0.9

Question ID : 7079669347  
Option 1 ID : 70796637386  
Option 2 ID : 70796637385  
Option 3 ID : 70796637387  
Option 4 ID : 70796637388  
Status : Not Answered  
Chosen Option : --

Q.3  
4 A car loses 200 kJ of kinetic energy when its speed decreases from 25 m/s to 15 m/s. Find its mass in tonnes.

- Ans
- 1. 2

- 2. 1.5
- 3. 2.5
- 4. 1

Question ID : 7079669318  
Option 1 ID : 70796637269  
Option 2 ID : 70796637270  
Option 3 ID : 70796637271  
Option 4 ID : 70796637272  
Status : Not Answered  
Chosen Option : --

Q.3 L is thrice as good a workman as M, and together, they finish a task in 12 days. In how many days will L alone finish  
5 the same task?

- Ans
- 1. 16
  - 2. 32
  - 3. 48
  - 4. 40

Question ID : 7079669336  
Option 1 ID : 70796637343  
Option 2 ID : 70796637342  
Option 3 ID : 70796637341  
Option 4 ID : 70796637344  
Status : Answered  
Chosen Option : 2

Q.3 Pie chart 1 shows the share of the four partners (A, B, C and D) in Company XYZ in the year 2017. In 2018, a fifth  
6 partner, E, was added by issuing 5000 shares to E (pie chart 2). The company has issued \_\_\_\_\_ shares more in  
2018 than those in 2017.

- Ans
- 1. 33.33%
  - 2. 16.67%
  - 3. 20%
  - 4. 25%

Question ID : 7079669371  
Option 1 ID : 70796637484  
Option 2 ID : 70796637483  
Option 3 ID : 70796637482  
Option 4 ID : 70796637481  
Status : Not Answered  
Chosen Option : --

Q.3 The area of A0 size paper is \_\_\_\_\_.  
7

- Ans
- 1. 10,000 cm<sup>2</sup>
  - 2. 1,000 cm<sup>2</sup>
  - 3. 1 cm<sup>2</sup>
  - 4. 100 cm<sup>2</sup>

Question ID : 7079669287

Option 1 ID : 70796637145

Option 2 ID : 70796637148

Option 3 ID : 70796637147

Option 4 ID : 70796637146

Status : Answered

Chosen Option : 2

Q.3 The \_\_\_\_\_ across the ends of a resistor is directly proportional to the current through it, provided its temperature remains the same.

- Ans
- 1. charge
  - 2. potential difference
  - 3. resistivity
  - 4. resistance

Question ID : 7079669309

Option 1 ID : 70796637236

Option 2 ID : 70796637235

Option 3 ID : 70796637234

Option 4 ID : 70796637233

Status : Answered

Chosen Option : 2

Q.3 A truck travels 450 km in two and a half hours. Find its speed in m/s.

- Ans
- 1. 60
  - 2. 50
  - 3. 90
  - 4. 75

Question ID : 7079669319

Option 1 ID : 70796637273

Option 2 ID : 70796637276

Option 3 ID : 70796637275

Option 4 ID : 70796637274

Status : Answered

Chosen Option : 3

Q.4 Which of the following is an example of a second class lever?

- Ans
- 1. Ice tongs
  - 2. See-saw
  - 3. Pliers
  - 4. Wheel barrow

Question ID : 7079669321

Option 1 ID : 70796637283

Option 2 ID : 70796637282

Option 3 ID : 70796637281

Option 4 ID : 70796637284

Status : Answered

Chosen Option : 4

Q.4  
1 The specific latent heat of fusion of ethyl alcohol is  $100 \text{ Jg}^{-1}$ . Find the heat absorbed (in J) by 2.25 g of ethyl alcohol when it melts at its melting point of  $-114^\circ\text{C}$ .

- Ans
- 1. 100
  - 2. 225
  - 3. 45
  - 4. 311

Question ID : 7079669288  
Option 1 ID : 70796637152  
Option 2 ID : 70796637151  
Option 3 ID : 70796637149  
Option 4 ID : 70796637150  
Status : Not Answered  
Chosen Option : --

Q.4  
2 Find the slope of the line joining the points (3, -4) and (5, 2).

- Ans
- 1. 2
  - 2.  $\frac{1}{2}$
  - 3. 3
  - 4.  $\frac{1}{3}$

Question ID : 7079669344  
Option 1 ID : 70796637373  
Option 2 ID : 70796637376  
Option 3 ID : 70796637375  
Option 4 ID : 70796637374  
Status : Not Answered  
Chosen Option : --

Q.4  
3 Binary number 101110110 is equal to decimal number \_\_\_\_\_.

- Ans
- 1. 468
  - 2. 374
  - 3. 412
  - 4. 326

Question ID : 7079669326  
Option 1 ID : 70796637304  
Option 2 ID : 70796637303  
Option 3 ID : 70796637302  
Option 4 ID : 70796637301  
Status : Not Answered  
Chosen Option : --

Q.4  
4 A boy of 50 kg is riding a scooter of 100 kg mass at a speed of  $v \text{ m/s}$ . Find  $v$  (in  $\text{m/s}$ ) if the kinetic energy of the scooter and the boy is 76.8 kJ.

- Ans
- 1. 80
  - 2. 32
  - 3. 40
  - 4. 64



Question ID : 7079669305

Option 1 ID : 70796637220

Option 2 ID : 70796637218

Option 3 ID : 70796637219

Option 4 ID : 70796637217

Status : Not Answered

Chosen Option : --

Q.4 Find the resistance of the wire (in  $k\Omega$ ) through which a 5 mA current flows when 500 V of potential difference is applied across it.

- Ans
- 1. 2.5
  - 2. 100
  - 3. 1,00,000
  - 4. 2,500

Question ID : 7079669312

Option 1 ID : 70796637247

Option 2 ID : 70796637246

Option 3 ID : 70796637245

Option 4 ID : 70796637248

Status : Answered

Chosen Option : 3

Q.4 Find the least common multiple of 56 and 50.

- Ans
- 1. 1500
  - 2. 1400
  - 3. 800
  - 4. 700

Question ID : 7079669331

Option 1 ID : 70796637324

Option 2 ID : 70796637323

Option 3 ID : 70796637322

Option 4 ID : 70796637321

Status : Answered

Chosen Option : 2

Q.4 Select the option that is related to the third word on the same basis as the second word is related to the first word. Paper:

7 Glue:: Brick : ?

- Ans
- 1. Mason
  - 2. Wall
  - 3. Stone
  - 4. Mortar

Question ID : 7079669351

Option 1 ID : 70796637404

Option 2 ID : 70796637402

Option 3 ID : 70796637403

Option 4 ID : 70796637401

Status : Answered

Chosen Option : 4

Q.4 A \_\_\_\_\_ diagram is a schematic drawing that shows the relationships in a system, using simple shapes for the entities.

8

- Ans
- 1. block
  - 2. circuit
  - 3. Venn
  - 4. scatter

Question ID : 7079669299  
Option 1 ID : 70796637195  
Option 2 ID : 70796637196  
Option 3 ID : 70796637194  
Option 4 ID : 70796637193  
Status : Answered  
Chosen Option : 1

Q.4 \_\_\_\_\_ are a subset of air pollution that refers to the tiny particles suspended everywhere in our atmosphere.

9

- Ans
- 1. Humus
  - 2. Genomes
  - 3. Aerosols
  - 4. Loam

Question ID : 7079669324  
Option 1 ID : 70796637295  
Option 2 ID : 70796637294  
Option 3 ID : 70796637293  
Option 4 ID : 70796637296  
Status : Answered  
Chosen Option : 3

Q.5 A/An \_\_\_\_\_ is an interface on a computer to which you can connect a device.

0

- Ans
- 1. array
  - 2. anime
  - 3. port
  - 4. dongle


Question ID : 7079669325  
Option 1 ID : 70796637298  
Option 2 ID : 70796637297  
Option 3 ID : 70796637299  
Option 4 ID : 70796637300  
Status : Answered  
Chosen Option : 3

Q.5 Select the option that is related to the third word on the same basis as the second word is related to the first word. Pipe:

1

Cylinder:: Moon : ?

- Ans
- 1. Earth
  - 2. Night
  - 3. Sphere

 4. Stars

Question ID : 7079669352  
Option 1 ID : 70796637405  
Option 2 ID : 70796637407  
Option 3 ID : 70796637406  
Option 4 ID : 70796637408  
Status : Answered  
Chosen Option : 3

Q.5 Find the mechanical advantage of a pulley system if it has an efficiency of 60%. The load lifts by 3 m when the rope is pulled by 12 m.

- Ans  1. 3.6  
 2. 2.4  
 3. 4.8  
 4. 1.2

Question ID : 7079669313  
Option 1 ID : 70796637249  
Option 2 ID : 70796637252  
Option 3 ID : 70796637251  
Option 4 ID : 70796637250  
Status : Not Answered  
Chosen Option : --

Q.5 Choose the letter cluster that is different from the rest.

- Ans  1. MOQ  
 2. EFG  
 3. KLM  
 4. RST

Question ID : 7079669366  
Option 1 ID : 70796637464  
Option 2 ID : 70796637462  
Option 3 ID : 70796637461  
Option 4 ID : 70796637463  
Status : Answered  
Chosen Option : 1

Q.5 If 1,200 J of work is done in pushing a trolley by 20 m, what was the force (in N) employed?

- Ans  1. 90  
 2. 30  
 3. 60  
 4. 120

Question ID : 7079669292  
Option 1 ID : 70796637167  
Option 2 ID : 70796637168  
Option 3 ID : 70796637166  
Option 4 ID : 70796637165  
Status : Answered

Chosen Option : 3

Q.5 Find the mass (in g) of a copper calorimeter if its temperature rises by  $45^\circ$  when it absorbs 3.6 kJ of heat. The specific heat capacity of copper is  $0.4 \text{ Jg}^{-1}\text{K}^{-1}$ .

- Ans
- 1. 500
  - 2. 405
  - 3. 200
  - 4. 648

Question ID : 7079669308  
Option 1 ID : 70796637232  
Option 2 ID : 70796637231  
Option 3 ID : 70796637229  
Option 4 ID : 70796637230  
Status : Not Answered  
Chosen Option : --

Q.5 Find the third proportional to 24 and 60.

- Ans
- 1. 164
  - 2. 150
  - 3. 120
  - 4. 144

Question ID : 7079669332  
Option 1 ID : 70796637328  
Option 2 ID : 70796637326  
Option 3 ID : 70796637327  
Option 4 ID : 70796637325  
Status : Answered  
Chosen Option : 2

Q.5 By cycling  $\frac{7}{9}$  times his usual speed, Anwar reaches his school 4 minutes late. How many minutes does Anwar take to reach school at his usual cycling speed?

- Ans
- 1. 14
  - 2. 16
  - 3. 20
  - 4. 18

Question ID : 7079669315  
Option 1 ID : 70796637258  
Option 2 ID : 70796637257  
Option 3 ID : 70796637260  
Option 4 ID : 70796637259  
Status : Not Answered  
Chosen Option : --

Q.5 A pilgrim starts from her house to visit various places. She walks 13 km towards the east, then turns towards the north and walks 11 km, then turns towards the west and walks 7 km, then turns towards the south and walks 6 km and finally turns to her right and walks 6 km. Where is she now with respect to her starting position?

- Ans
- 1. 16 km south
  - 2. 5 km north

- 3. 16 km north
- 4. 5 km south

Question ID : 7079669368  
Option 1 ID : 70796637471  
Option 2 ID : 70796637472  
Option 3 ID : 70796637470  
Option 4 ID : 70796637469  
Status : Not Answered  
Chosen Option : --

Q.5 In an artificial language, 'terake' means 'motherland', 'lorake' means 'mother tongue' and 'loroli' means 'long tongue'.  
9 Which word would mean 'long jump' in that language?

- Ans
- 1. akezit
  - 2. nemoli
  - 3. dibnol
  - 4. hudter

Question ID : 7079669356  
Option 1 ID : 70796637424  
Option 2 ID : 70796637421  
Option 3 ID : 70796637422  
Option 4 ID : 70796637423  
Status : Answered  
Chosen Option : 2

Q.6 If  $5x/3 - 7/2 (2x/5 - 1/3) = 1/3$ , then the value of x is \_\_\_\_\_.

- Ans
- 1. -25/8
  - 2. 5/14
  - 3. -5/14
  - 4. 25/8

Question ID : 7079669342  
Option 1 ID : 70796637365  
Option 2 ID : 70796637367  
Option 3 ID : 70796637368  
Option 4 ID : 70796637366  
Status : Answered  
Chosen Option : 2

Q.6 In an engineering drawing, which letters written on the dimension indicates that it is extra information and NOT really required?

- Ans
- 1. EXT
  - 2. PER
  - 3. NR
  - 4. REF

Question ID : 7079669298  
Option 1 ID : 70796637189  
Option 2 ID : 70796637192  
Option 3 ID : 70796637191

Option 4 ID : 70796637190  
Status : Not Answered  
Chosen Option : --

Q.6 Select the set of letters that when sequentially placed in the gaps of the given letter series will complete the series  
2 logically.

a \_ yz \_ bx \_ zc \_ cx \_ z

- Ans
- 1. xybcey
  - 2. yxbcz
  - 3. xbycey
  - 4. xybcz

Question ID : 7079669353  
Option 1 ID : 70796637409  
Option 2 ID : 70796637411  
Option 3 ID : 70796637412  
Option 4 ID : 70796637410  
Status : Not Answered  
Chosen Option : --

Q.6 Acceleration due to gravity is highest at \_\_\_\_\_.  
3

- Ans
- 1. the center of the earth
  - 2. the poles
  - 3. at an infinite distance from the earth
  - 4. the equator

Question ID : 7079669303  
Option 1 ID : 70796637211  
Option 2 ID : 70796637210  
Option 3 ID : 70796637212  
Option 4 ID : 70796637209  
Status : Answered  
Chosen Option : 2

Q.6 Choose the figure that is different from the rest.  
4

Ans

H	X	P
O	R	K
W	Q	M

- 1.



✓ 2.

K	W	Q
R	O	P
I	M	X

✗ 3.

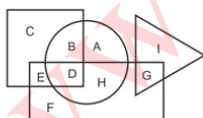
P	O	R
M	W	K
H	X	Q

✗ 4.

Q	M	R
X	H	O
K	W	P

Question ID : 7079669365  
 Option 1 ID : 70796637459  
 Option 2 ID : 70796637458  
 Option 3 ID : 70796637460  
 Option 4 ID : 70796637457  
 Status : Not Answered  
 Chosen Option : --

Q.6 In the following figure, the triangle represents bakers, the square represents teachers, the circle represents Americans and the rectangle represents mothers. Which letter or set of letters represents the mothers who are neither Americans nor bakers?



- Ans
- ✗ 1. I
  - ✗ 2. A
  - ✗ 3. C
  - ✓ 4. EF

Question ID : 7079669361  
 Option 1 ID : 70796637442  
 Option 2 ID : 70796637443  
 Option 3 ID : 70796637441  
 Option 4 ID : 70796637444  
 Status : Answered  
 Chosen Option : 4

Q.6  
6 If the median of the numbers 9, 15, 1, 15, 14, 9, 4 and X is 11, find X.

- Ans
- 1. 10
  - 2. 13
  - 3. 12
  - 4. 11

Question ID : 7079669346  
Option 1 ID : 70796637383  
Option 2 ID : 70796637384  
Option 3 ID : 70796637381  
Option 4 ID : 70796637382  
Status : Not Answered  
Chosen Option : --

Q.6  
7 The total surface area of a cuboid is  $236 \text{ cm}^2$ . Its length is 8 cm and height is 6 cm. Find its breadth (in cm).

- Ans
- 1. 9
  - 2. 4
  - 3. 7
  - 4. 5

Question ID : 7079669335  
Option 1 ID : 70796637338  
Option 2 ID : 70796637339  
Option 3 ID : 70796637337  
Option 4 ID : 70796637340  
Status : Not Answered  
Chosen Option : --

Q.6  
8 C said to D, "You are my sister's husband's mother-in-law." How is D related to C?

- Ans
- 1. D is the sister of C.
  - 2. D is the daughter of C.
  - 3. D is the mother of C.
  - 4. D is the mother-in-law of C.

Question ID : 7079669360  
Option 1 ID : 70796637438  
Option 2 ID : 70796637439  
Option 3 ID : 70796637437  
Option 4 ID : 70796637440  
Status : Answered  
Chosen Option : 3

Q.6  
9 \_\_\_\_\_ is India's sole National Issuing & Guaranteeing Association for ATA Carnets (also known as 'Passport for Goods').

- Ans
- 1. All India Management Association
  - 2. Confederation of Indian Industry
  - 3. International Resources for Fairer Trade

✓ 4. Federation of Indian Chambers of Commerce & Industry

Question ID : 7079669278  
Option 1 ID : 70796637111  
Option 2 ID : 70796637109  
Option 3 ID : 70796637110  
Option 4 ID : 70796637112  
Status : Not Answered  
Chosen Option : --

Q.7  
0 Two cabs A and B start from town C for town D. If the distance between the two towns is 540 km and the slower taxi travelling at an average speed of 90 km/hr takes an hour more than the faster taxi, then find the speed (in km/hr) of the faster taxi.

- Ans
- ✗ 1. 126
  - ✗ 2. 117
  - ✓ 3. 108
  - ✗ 4. 99

Question ID : 7079669306  
Option 1 ID : 70796637224  
Option 2 ID : 70796637222  
Option 3 ID : 70796637223  
Option 4 ID : 70796637221  
Status : Not Answered  
Chosen Option : --

Q.7  
1 If  $a^2 + b^2 = 53$  and  $ab = 14$ , then find the value of  $a + b$ .

- Ans
- ✗ 1. 15
  - ✓ 2. 9
  - ✗ 3. 5
  - ✗ 4. 12

Question ID : 7079669343  
Option 1 ID : 70796637369  
Option 2 ID : 70796637370  
Option 3 ID : 70796637371  
Option 4 ID : 70796637372  
Status : Answered  
Chosen Option : 2

Q.7  
2 Which of the following classes of chemicals can damage the ozone layer?

- Ans
- ✗ 1. Phenols
  - ✗ 2. Antimicrobials
  - ✗ 3. Aromatic compounds
  - ✓ 4. Chlorofluorocarbons

Question ID : 7079669323  
Option 1 ID : 70796637291  
Option 2 ID : 70796637290  
Option 3 ID : 70796637289

Option 4 ID : 70796637292  
Status : Answered  
Chosen Option : 4

Q.7 Acceleration due to gravity on Jupiter is two and a half times that on earth. How much would a 250 kg satellite weigh  
3 (in N) on Jupiter? (acceleration due to gravity on earth =  $10\text{m/s}^2$ )

- Ans
- 1. 625
  - 2. 6,250
  - 3. 100
  - 4. 10

Question ID : 7079669296  
Option 1 ID : 70796637182  
Option 2 ID : 70796637183  
Option 3 ID : 70796637181  
Option 4 ID : 70796637184  
Status : Answered  
Chosen Option : 3

Q.7 Which of the following is NOT a derived unit?  
4

- Ans
- 1. Volt
  - 2. Mole
  - 3. Radian
  - 4. Lumen

Question ID : 7079669301  
Option 1 ID : 70796637203  
Option 2 ID : 70796637204  
Option 3 ID : 70796637201  
Option 4 ID : 70796637202  
Status : Answered  
Chosen Option : 2

Q.7 Henry per meter is the unit of \_\_\_\_\_.  
5

- Ans
- 1. permittivity
  - 2. permeability
  - 3. watt per steradian
  - 4. electric conductance

Question ID : 7079669302  
Option 1 ID : 70796637205  
Option 2 ID : 70796637208  
Option 3 ID : 70796637207  
Option 4 ID : 70796637206  
Status : Answered  
Chosen Option : 1

Q.7 If  $\text{Sin}\theta = 12/13$ , then find the value of  $2\text{Cot}\theta + 13\text{Cos}\theta$ .  
6

Ans

- 1. 35/6
- 2. 25/6
- 3. 5/8
- 4. 15/8

Question ID : 7079669345  
Option 1 ID : 70796637379  
Option 2 ID : 70796637377  
Option 3 ID : 70796637380  
Option 4 ID : 70796637378  
Status : Answered  
Chosen Option : 1

Q.7 A vendor buys a certain number of bananas at 8 pieces for `5 and sells them at 5 pieces for `8. What will be his percentage profit?

- Ans
- 1. 144%
  - 2. 156%
  - 3. 40%
  - 4. 48%

Question ID : 7079669341  
Option 1 ID : 70796637363  
Option 2 ID : 70796637362  
Option 3 ID : 70796637361  
Option 4 ID : 70796637364  
Status : Answered  
Chosen Option : 2

Q.7 The notation  $2 \times 6$  means \_\_\_\_\_.

- Ans
- 1. Scale the circle of radius 6 units by a factor of 2
  - 2. 2 circles of radius 6 units
  - 3. Scale the circle of diameter 6 units by a factor of 2
  - 4. 2 circles of diameter 6 units

Question ID : 7079669290  
Option 1 ID : 70796637160  
Option 2 ID : 70796637157  
Option 3 ID : 70796637159  
Option 4 ID : 70796637158  
Status : Not Answered  
Chosen Option : --

Q.7 Moore's Law is a rule of thumb stated by Intel co-founder Gordon Moore that the number of transistors on a chip doubles every \_\_\_\_\_ months.

- Ans
- 1. 30
  - 2. 12
  - 3. 24
  - 4. 18

Question ID : 7079669295  
Option 1 ID : 70796637180  
Option 2 ID : 70796637178  
Option 3 ID : 70796637179  
Option 4 ID : 70796637177  
Status : Answered  
Chosen Option : 4

Q.8 Find the missing number in the given series.

-2.7, -2.1, -1.5, -0.9, -0.3, ?

- Ans
- 1. 0.3
  - 2. 0.2
  - 3. 0.5
  - 4. 0.4

Question ID : 7079669354  
Option 1 ID : 70796637416  
Option 2 ID : 70796637415  
Option 3 ID : 70796637414  
Option 4 ID : 70796637413  
Status : Answered  
Chosen Option : 1

Q.8 The Directive Principles of State Policy in India's Constitution are borrowed from the constitution of \_\_\_\_\_.

- 1
- Ans
- 1. Canada
  - 2. Ireland
  - 3. Germany
  - 4. Britain

Question ID : 7079669276  
Option 1 ID : 70796637102  
Option 2 ID : 70796637104  
Option 3 ID : 70796637103  
Option 4 ID : 70796637101  
Status : Not Answered  
Chosen Option : --

Q.8 From a 50-m-long steel bar, a workman has to cut off as many 5.25-m-long pieces as possible. What decimal fraction of the whole will be left?

- 2
- Ans
- 1. 0.035
  - 2. 0.045
  - 3. 0.025
  - 4. 0.055

Question ID : 7079669329  
Option 1 ID : 70796637316  
Option 2 ID : 70796637315  
Option 3 ID : 70796637314  
Option 4 ID : 70796637313  
Status : Not Answered



Chosen Option : --

Q.8  
3 Who was the captain of the IPL team Chennai Super Kings, in 2018?

- Ans
- 1. Mahendra Singh Dhoni
  - 2. Virat Kohli
  - 3. Gautam Gambhir
  - 4. Rohit Sharma

Question ID : 7079669282  
Option 1 ID : 70796637126  
Option 2 ID : 70796637125  
Option 3 ID : 70796637127  
Option 4 ID : 70796637128  
Status : Answered  
Chosen Option : 1

Q.8  
4 Which Dadasaheb Phalke Award recipient produced and directed India's first colour film, 'Sairandhri'?

- Ans
- 1. Birendranath Sirdar
  - 2. Sivaji Ganesan
  - 3. LV Prasad
  - 4. V Shanta ram

Question ID : 7079669279  
Option 1 ID : 70796637115  
Option 2 ID : 70796637116  
Option 3 ID : 70796637114  
Option 4 ID : 70796637113  
Status : Not Answered  
Chosen Option : --

Q.8  
5 If  $14 \# 2 = 80$ ,  $10 \# 4 = 70$  and  $20 \# 6 = 130$ , then find the value of  $8 \# 12$ .

- Ans
- 1. 2
  - 2. 100
  - 3. 10
  - 4. 4

Question ID : 7079669358  
Option 1 ID : 70796637430  
Option 2 ID : 70796637432  
Option 3 ID : 70796637431  
Option 4 ID : 70796637429  
Status : Not Answered  
Chosen Option : --

Q.8  
6 A train running at a speed of 64 km/h takes 50 min to travel a certain distance. By how much should it increase its speed (in km/h) to travel the same distance in 40 min?

- Ans
- 1. 25
  - 2. 16

- 3. 10
- 4. 80

Question ID : 7079669338  
Option 1 ID : 70796637352  
Option 2 ID : 70796637349  
Option 3 ID : 70796637351  
Option 4 ID : 70796637350  
Status : Not Answered  
Chosen Option : --

Q.8 If the compound interest received on a certain amount in the first year is ₹1,440, what will be the compound interest for  
7 the second year on the same principal at a 10% rate of interest?

- Ans
- 1. ₹1,540
  - 2. ₹1,512
  - 3. ₹1,554
  - 4. ₹1,584

Question ID : 7079669339  
Option 1 ID : 70796637355  
Option 2 ID : 70796637356  
Option 3 ID : 70796637353  
Option 4 ID : 70796637354  
Status : Not Answered  
Chosen Option : --

Q.8 A uniform meter scale weighs 50g. It is pivoted at the 70cm mark. Where should a 40 g mass be placed so that the scale  
8 is in equilibrium?

- Ans
- 1. At the 25 cm mark
  - 2. At the 45 cm mark
  - 3. At the 5 cm mark
  - 4. At the 95 cm mark

Question ID : 7079669297  
Option 1 ID : 70796637187  
Option 2 ID : 70796637185  
Option 3 ID : 70796637186  
Option 4 ID : 70796637188  
Status : Not Answered  
Chosen Option : --

Q.8 Two resistors of  $R \Omega$  and  $15 \Omega$  are connected in parallel to get an effective resistance of  $12 \Omega$ . Find  $R$ .  
9

- Ans
- 1. 75
  - 2. 30
  - 3. 60
  - 4. 45

Question ID : 7079669310  
Option 1 ID : 70796637240  
Option 2 ID : 70796637237

Option 3 ID : 70796637239  
Option 4 ID : 70796637238  
Status : Answered  
Chosen Option : 3

Q.9 Classical musician Vilayat Khan is associated with which musical instrument?

- Ans
- 1. Sarod
  - 2. Santoor
  - 3. Flute
  - 4. Sitar

Question ID : 7079669284  
Option 1 ID : 70796637133  
Option 2 ID : 70796637134  
Option 3 ID : 70796637136  
Option 4 ID : 70796637135  
Status : Not Answered  
Chosen Option : --

Q.9 \_\_\_\_\_ ° Celsius = 167 Fahrenheit

- Ans
- 1. 103
  - 2. 75
  - 3. 348
  - 4. 198

Question ID : 7079669320  
Option 1 ID : 70796637278  
Option 2 ID : 70796637277  
Option 3 ID : 70796637279  
Option 4 ID : 70796637280  
Status : Answered  
Chosen Option : 2

Q.9 In this question, two statements are given, followed by two conclusions labelled I and II. You have to consider the statements to be true even if they seem to be at variance with commonly known facts, and decide which of the given conclusions, if any, follow(s) from the given statements.

Statements:

No beakers are vases.  
All vases are jugs.

Conclusions:

I: Some jugs are beakers.  
II: Some jugs are vases.

- Ans
- 1. Both conclusions I and II follow.
  - 2. Only conclusion I follows.
  - 3. Only conclusion II follows.
  - 4. Neither conclusion I nor II follows.

Question ID : 7079669363

Option 1 ID : 70796637451

Option 2 ID : 70796637449

Option 3 ID : 70796637450

Option 4 ID : 70796637452

Status : Answered

Chosen Option : 3

Q.9 If '+' represents 'x', '÷' represents '+', '-' represents '÷' and 'x' represents '-', then find the value of the following expression.

3

$$8 + 4 \div 15 - 3 \times 1$$

Ans  1. 17

2. 36

3. 10

4. 14

Question ID : 7079669357

Option 1 ID : 70796637427

Option 2 ID : 70796637428

Option 3 ID : 70796637425

Option 4 ID : 70796637426

Status : Answered

Chosen Option : 2

Q.9 Henry Cavendish discovered \_\_\_\_\_ in 1766.

4

Ans  1. helium

2. hydrogen

3. chlorine

4. oxygen

Question ID : 7079669280

Option 1 ID : 70796637119

Option 2 ID : 70796637118

Option 3 ID : 70796637117

Option 4 ID : 70796637120

Status : Not Answered

Chosen Option : --

Q.9 The weights of three boxes are 3 kg, 8 kg and 12 kg. Which of the following CANNOT be the total weight, in kg, of any combination of these boxes?

5

Ans  1. 15

2. 21

3. 23

4. 20

Question ID : 7079669374

Option 1 ID : 70796637493

Option 2 ID : 70796637495

Option 3 ID : 70796637496

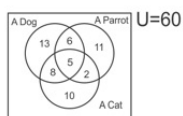
Option 4 ID : 70796637494

Status : Answered

Chosen Option : 3

Q.9 The given Venn diagram shows the pet(s) that each house in a society has. How many houses have only two pets?

6



- Ans
- 1. 15
  - 2. 21
  - 3. 5
  - 4. 16

Question ID : 7079669362  
Option 1 ID : 70796637448  
Option 2 ID : 70796637447  
Option 3 ID : 70796637445  
Option 4 ID : 70796637446  
Status : Not Answered  
Chosen Option : --

Q.9 Name the celebrity who has authored 'Mrs. Funnybones'?

7

- Ans
- 1. Twinkle Khanna
  - 2. Bipasha Basu
  - 3. Shraddha Kapoor
  - 4. Sonakshi Sinha

Question ID : 7079669281  
Option 1 ID : 70796637122  
Option 2 ID : 70796637121  
Option 3 ID : 70796637123  
Option 4 ID : 70796637124  
Status : Answered  
Chosen Option : 1

Q.9 A block of metal of mass 500 g has a relative density of 2.5. What will be its apparent mass when it is fully immersed in water?

8

- Ans
- 1. 250 g
  - 2. 200 g
  - 3. 300 g
  - 4. 400 g

Question ID : 7079669314  
Option 1 ID : 70796637255  
Option 2 ID : 70796637254  
Option 3 ID : 70796637253  
Option 4 ID : 70796637256  
Status : Not Answered  
Chosen Option : --

Q.9 Find the density (in  $\text{kg/m}^3$ ) of a piece of wood of dimensions  $6 \text{ cm} \times 8 \text{ cm} \times 5 \text{ cm}$ , and weight 1.92 N. (Use  $g=10\text{m/s}^2$ )

9

- Ans
- 1. 800

- 2. 8,000
- 3. 300
- 4. 3,000

Question ID : 7079669304  
Option 1 ID : 70796637216  
Option 2 ID : 70796637213  
Option 3 ID : 70796637215  
Option 4 ID : 70796637214  
Status : **Not Answered**  
Chosen Option : --

**Q.1** Part of a sentence has been divided into three segments, which are jumbled up and given along with the unjumbled part.  
**00** Rearrange the parts of the sentence in correct order.

I'd just remembered that our  
X: every once in a while, so our changing  
Y: rooms were movable, on wheels  
Z: owner liked to change the decor of the boutique

- Ans**
- 1. ZXY
  - 2. XZY
  - 3. ZYX
  - 4. YXZ

Question ID : 7079669372  
Option 1 ID : 70796637488  
Option 2 ID : 70796637486  
Option 3 ID : 70796637485  
Option 4 ID : 70796637487  
Status : **Answered**  
Chosen Option : 1

Section : Electronics Mechanic

**Q.1** What is the internal general purpose memory of 8051 micro controller?

- Ans**
- 1. 16 Byte
  - 2. 128 Byte
  - 3. 8 Byte
  - 4. 64 Byte

Question ID : 7079669441  
Option 1 ID : 70796637762  
Option 2 ID : 70796637764  
Option 3 ID : 70796637761  
Option 4 ID : 70796637763  
Status : **Not Answered**  
Chosen Option : --

**Q.2** In an amplifier with a negative feedback circuit, gain  $A_f$  is given by:

**Ans**



- 1.  $A_f = (1 + A_m) / A$
- 2.  $A_f = (1 - A_m) / A$
- 3.  $A_f = A / (1 - A_m)$
- 4.  $A_f = A / (1 + A_m)$

Question ID : 7079669398  
Option 1 ID : 70796637591  
Option 2 ID : 70796637592  
Option 3 ID : 70796637590  
Option 4 ID : 70796637589  
Status : Answered  
Chosen Option : 4

Q.3 The full form of LED is:

- Ans
- 1. Light Emitting Diode
  - 2. Lowlight Erecting Diode
  - 3. Light Editing Diode
  - 4. Light Erecting Diode

Question ID : 7079669407  
Option 1 ID : 70796637625  
Option 2 ID : 70796637628  
Option 3 ID : 70796637626  
Option 4 ID : 70796637627  
Status : Answered  
Chosen Option : 1

Q.4 An optical fiber is a cylindrical dielectric waveguide that transmits \_\_\_\_\_ along its axis.

- Ans
- 1. ultra violet rays
  - 2. light
  - 3. X rays
  - 4. gama rays

Question ID : 7079669426  
Option 1 ID : 70796637704  
Option 2 ID : 70796637703  
Option 3 ID : 70796637701  
Option 4 ID : 70796637702  
Status : Answered  
Chosen Option : 2

Q.5 Which among the following is used as receiver in fiber optic communication?

- Ans
- 1. LDR
  - 2. LED
  - 3. Photo Transistor
  - 4. LASER Diode

Question ID : 7079669416  
Option 1 ID : 70796637664  
Option 2 ID : 70796637661  
Option 3 ID : 70796637663  
Option 4 ID : 70796637662  
Status : Answered  
Chosen Option : 1

Q.6 DA converter is a part of:

- Ans
- 1. odometer
  - 2. analog meter
  - 3. panel board meter
  - 4. proximity sensor

Question ID : 7079669410  
Option 1 ID : 70796637640  
Option 2 ID : 70796637638  
Option 3 ID : 70796637639  
Option 4 ID : 70796637637  
Status : Not Answered  
Chosen Option : --

Q.7 Mobile phones/cell phones consist of a small \_\_\_\_\_ and \_\_\_\_\_.

- Ans
- 1. transmitter; microphone
  - 2. walky; talky
  - 3. transmitter; receiver
  - 4. transmitter; speaker

Question ID : 7079669433  
Option 1 ID : 70796637731  
Option 2 ID : 70796637730  
Option 3 ID : 70796637732  
Option 4 ID : 70796637729  
Status : Answered  
Chosen Option : 3

Q.8 Which one of the following is a photo-voltaic module?

- Ans
- 1. Zener modules
  - 2. Rectifier modules
  - 3. Transistor modules
  - 4. Solar modules

Question ID : 7079669432  
Option 1 ID : 70796637726  
Option 2 ID : 70796637727  
Option 3 ID : 70796637728  
Option 4 ID : 70796637725  
Status : Not Answered  
Chosen Option : --

Q.9 Convert decimal 32 to hexadecimal.

- Ans
- 1. 20
  - 2. 30
  - 3. 10
  - 4. 40

Question ID : 7079669450  
Option 1 ID : 70796637798  
Option 2 ID : 70796637799  
Option 3 ID : 70796637797  
Option 4 ID : 70796637800  
Status : Not Answered  
Chosen Option : --

Q.1 \_\_\_\_\_ is the Input voltage Specification of a UPS. Choose from the given option

- Ans
- 1. 208V/120 V and 50/60 Hz
  - 2. Regulation + or - 3%
  - 3. 20  $\mu$ F
  - 4. 100 A

Question ID : 7079669431  
Option 1 ID : 70796637721  
Option 2 ID : 70796637722  
Option 3 ID : 70796637724  
Option 4 ID : 70796637723  
Status : Answered  
Chosen Option : 1

Q.1 Which type of feedback is used in case of an oscillator circuit?

- Ans
- 1. Zero
  - 2. Positive
  - 3. Negative
  - 4. Unity

Question ID : 7079669443  
Option 1 ID : 70796637772  
Option 2 ID : 70796637769  
Option 3 ID : 70796637770  
Option 4 ID : 70796637771  
Status : Answered  
Chosen Option : 2

Q.1 If an amplifier circuit has negative feedback, then gain:

- Ans
- 1. increases and decreases
  - 2. stays constant
  - 3. increases

✓ 4. decrease

Question ID : 7079669399  
Option 1 ID : 70796637596  
Option 2 ID : 70796637595  
Option 3 ID : 70796637593  
Option 4 ID : 70796637594  
Status : Answered  
Chosen Option : 4

Q.1  
3 Which of the following is a cell phone component?

- Ans
- 1. SPTS
  - 2. Relay
  - 3. An Antenna
  - 4. DPDS

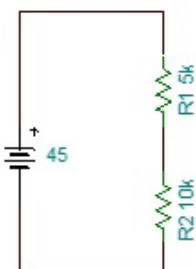
Question ID : 7079669434  
Option 1 ID : 70796637733  
Option 2 ID : 70796637735  
Option 3 ID : 70796637734  
Option 4 ID : 70796637736  
Status : Answered  
Chosen Option : 3

Q.1  
4 Which of the following computer hardware contains a laser?

- Ans
- 1. RAM
  - 2. CD Drive
  - 3. Hard Disk Drive
  - 4. Floppy Drive

Question ID : 7079669389  
Option 1 ID : 70796637556  
Option 2 ID : 70796637555  
Option 3 ID : 70796637554  
Option 4 ID : 70796637553  
Status : Answered  
Chosen Option : 4

Q.1  
5 In the path given below, what is the voltage across R1 resistor?



- Ans
- 1. 20
  - 2. 10

- 3. 15
- 4. 30

Question ID : 7079669378  
Option 1 ID : 70796637510  
Option 2 ID : 70796637509  
Option 3 ID : 70796637511  
Option 4 ID : 70796637512  
Status : Answered  
Chosen Option : 3

Q.1  
6 Additional heat is dissipated from power transistor by using

- Ans
- 1. mica sheet and heat sink
  - 2. silicon paste.
  - 3. mica sheet
  - 4. heat sink

Question ID : 7079669396  
Option 1 ID : 70796637583  
Option 2 ID : 70796637584  
Option 3 ID : 70796637581  
Option 4 ID : 70796637582  
Status : Answered  
Chosen Option : 4

Q.1  
7 Which of the following has superior bandwidth and temperature stability?

- Ans
- 1. PNP diode
  - 2. Photo diode
  - 3. Zener diode
  - 4. PN diode

Question ID : 7079669412  
Option 1 ID : 70796637648  
Option 2 ID : 70796637647  
Option 3 ID : 70796637646  
Option 4 ID : 70796637645  
Status : Not Answered  
Chosen Option : --

Q.1  
8 What are the XTAL 1 and XTAL 2 pins numbers for 8051?

- Ans
- 1. 15 and 16
  - 2. 18 and 19
  - 3. 12 and 13
  - 4. 17 and 18

Question ID : 7079669422  
Option 1 ID : 70796637685  
Option 2 ID : 70796637686  
Option 3 ID : 70796637688

Option 4 ID : 70796637687

Status : Answered

Chosen Option : 3

Q.1  
9 Which of the following software is used for electronic circuit simulation?

- Ans
- 1. P Spice
  - 2. Photoshop
  - 3. Firefox
  - 4. Windows 10

Question ID : 7079669388

Option 1 ID : 70796637549

Option 2 ID : 70796637550

Option 3 ID : 70796637552

Option 4 ID : 70796637551

Status : Answered

Chosen Option : 1

Q.2  
0 After crossing the peak point, UJT resistance becomes \_\_\_\_\_.

- Ans
- 1. Low
  - 2. Infinite
  - 3. Zero
  - 4. Negative

Question ID : 7079669449

Option 1 ID : 70796637794

Option 2 ID : 70796637793

Option 3 ID : 70796637795

Option 4 ID : 70796637796

Status : Not Answered

Chosen Option : --

Q.2  
1 Which of the following losses can be observed in a transformer when it is NOT connected to any load?

- Ans
- 1. Copper Loss
  - 2. Core Loss
  - 3. Thermal Loss
  - 4. Voltage Loss

Question ID : 7079669383

Option 1 ID : 70796637529

Option 2 ID : 70796637530

Option 3 ID : 70796637531

Option 4 ID : 70796637532

Status : Answered

Chosen Option : 1

Q.2  
2 BC147 is the transistor used for:

Ans



- 1. RF power amplifier
- 2. amplification of AF and RF signal
- 3. amplification of AF signal
- 4. amplification of RF signal

Question ID : 7079669395  
Option 1 ID : 70796637580  
Option 2 ID : 70796637579  
Option 3 ID : 70796637578  
Option 4 ID : 70796637577  
Status : Not Answered  
Chosen Option : --

Q.2  
3 Which of the following is a feature of SMPS?

- Ans
- 1. High efficiency
  - 2. AF gain
  - 3. Power buck
  - 4. RF gain

Question ID : 7079669415  
Option 1 ID : 70796637657  
Option 2 ID : 70796637658  
Option 3 ID : 70796637660  
Option 4 ID : 70796637659  
Status : Answered  
Chosen Option : 3

Q.2  
4 What is the operating point of a transistor as an amplifier known as?

- Ans
- 1. Quiescent Point
  - 2. Cutoff Point
  - 3. Saturation Point
  - 4. Flood In Point

Question ID : 7079669442  
Option 1 ID : 70796637768  
Option 2 ID : 70796637767  
Option 3 ID : 70796637765  
Option 4 ID : 70796637766  
Status : Answered  
Chosen Option : 1

Q.2  
5 What is the function of the discharge transistor in a 555 timer circuit?

- Ans
- 1. To start the timing by charging the external capacitor
  - 2. To stop the timing by charging the external capacitor
  - 3. To stop the timing by discharging the external capacitor

✓ 4. To start the timing by discharging the external capacitor

Question ID : 7079669445  
Option 1 ID : 70796637779  
Option 2 ID : 70796637777  
Option 3 ID : 70796637780  
Option 4 ID : 70796637778  
Status : Answered  
Chosen Option : 3

Q.2  
6 For Clipping of input AC signal a \_\_\_\_\_ is used.

- Ans ✓ 1. Diode  
✗ 2. FET  
✗ 3. Transistor  
✗ 4. Triode

Question ID : 7079669402  
Option 1 ID : 70796637606  
Option 2 ID : 70796637608  
Option 3 ID : 70796637605  
Option 4 ID : 70796637607  
Status : Answered  
Chosen Option : 1

Q.2  
7 UJT has:

- Ans ✓ 1. negative characteristics  
✗ 2. no positive or negative characteristics  
✗ 3. positive characteristics  
✗ 4. both positive and negative characteristics

Question ID : 7079669404  
Option 1 ID : 70796637614  
Option 2 ID : 70796637616  
Option 3 ID : 70796637613  
Option 4 ID : 70796637615  
Status : Answered  
Chosen Option : 4

Q.2  
8 NPN Transistor proper biasing for conduction is

- Ans ✓ 1.  
base, emitter forward bias and collector , emitter reverse bias  
✗ 2.  
base, emitter forward bias and collector, emitter forward bias  
✗ 3.  
base, emitter reverse bias and collector, emitter forward bias  
✗ 4. base direct and collector direct

Question ID : 7079669393  
Option 1 ID : 70796637570  
Option 2 ID : 70796637571  
Option 3 ID : 70796637569  
Option 4 ID : 70796637572  
Status : Answered  
Chosen Option : 1

Q.2  
9 Beta is the ratio of:

- Ans
- 1. base current to collector current
  - 2. collector current to emitter current
  - 3. emitter to collector
  - 4. collector current to base current

Question ID : 7079669392  
Option 1 ID : 70796637567  
Option 2 ID : 70796637566  
Option 3 ID : 70796637568  
Option 4 ID : 70796637565  
Status : Answered  
Chosen Option : 4

Q.3  
0 Select the correct UPS output specifications.

- Ans
- 1. Regulation + or - 3%
  - 2. 40 W
  - 3. 20  $\mu$ F
  - 4. 100 A

Question ID : 7079669417  
Option 1 ID : 70796637666  
Option 2 ID : 70796637665  
Option 3 ID : 70796637668  
Option 4 ID : 70796637667  
Status : Answered  
Chosen Option : 2

Q.3  
1 Pulses of Light are used in \_\_\_\_\_ for communication system to transmit information.

- Ans
- 1. FM Transmitter
  - 2. AM Transmitter
  - 3. Digital Transmitter
  - 4. Fiber Optic Transmitter

Question ID : 7079669411  
Option 1 ID : 70796637642  
Option 2 ID : 70796637641  
Option 3 ID : 70796637643  
Option 4 ID : 70796637644  
Status : Answered  
Chosen Option : 4

Q.3 TV channel frequencies are assigned in the 54 to 806 MHz range for the division of \_\_\_\_\_ TV channels.

2

- Ans
- 1. 76
  - 2. 86
  - 3. 68
  - 4. 78

Question ID : 7079669439

Option 1 ID : 70796637756

Option 2 ID : 70796637753

Option 3 ID : 70796637754

Option 4 ID : 70796637755

Status : Not Answered

Chosen Option : --

Q.3 In which of the following transistor configuration is the amplifier voltage gain the lowest?

3

- Ans
- 1. Emitter Coupled
  - 2. Common Collector
  - 3. Common Base
  - 4. Common Emitter

Question ID : 7079669448

Option 1 ID : 70796637791

Option 2 ID : 70796637792

Option 3 ID : 70796637790

Option 4 ID : 70796637789

Status : Answered

Chosen Option : 4

Q.3 In two stage RC coupling, the function of a  $C_c$  capacitor is to:

4

- Ans
- 1. pass AC and DC
  - 2. block AC and DC
  - 3. block the AC i/p
  - 4. block the DC Voltage

Question ID : 7079669397

Option 1 ID : 70796637588

Option 2 ID : 70796637587

Option 3 ID : 70796637585

Option 4 ID : 70796637586

Status : Not Answered

Chosen Option : --

Q.3 Select the communication device which works on Full Duplex Communication Channel.

5

- Ans
- 1. Telegraph
  - 2. Mobile
  - 3. Walky talky

4. TV

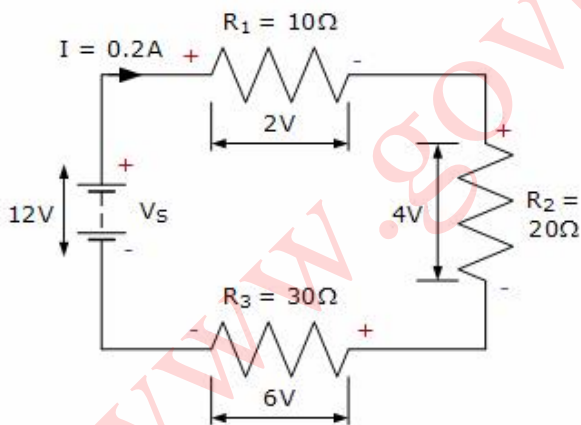
Question ID : 7079669419  
Option 1 ID : 70796637673  
Option 2 ID : 70796637675  
Option 3 ID : 70796637674  
Option 4 ID : 70796637676  
Status : Answered  
Chosen Option : 2

Q.3  
6 The Size of internal RAM of 8051 Microcontroller is?

- Ans  1. 128 Bytes  
 2. 256 Bytes  
 3. 16 Bytes  
 4. 64 Bytes

Question ID : 7079669379  
Option 1 ID : 70796637514  
Option 2 ID : 70796637516  
Option 3 ID : 70796637513  
Option 4 ID : 70796637515  
Status : Answered  
Chosen Option : 3

Q.3  
7 Which among the following laws is shown in the given figure?



- Ans  1. KVL  
 2. Ohm's Law  
 3. KCL  
 4. Faraday's Law

Question ID : 7079669385  
Option 1 ID : 70796637538  
Option 2 ID : 70796637537  
Option 3 ID : 70796637539  
Option 4 ID : 70796637540  
Status : Answered



Chosen Option : 1

Q.3  
8 What is the type of transformer used in home inverters to power from a 12V battery?

- Ans
- 1. Step-up
  - 2. One to one
  - 3. Star to delta
  - 4. Step-down

Question ID : 7079669384  
Option 1 ID : 70796637535  
Option 2 ID : 70796637533  
Option 3 ID : 70796637534  
Option 4 ID : 70796637536  
Status : Answered  
Chosen Option : 1

Q.3  
9 Side by side stack drivers are mounted on:

- Ans
- 1. SMPS
  - 2. LED Drivers
  - 3. Low Power Supply
  - 4. UPS

Question ID : 7079669436  
Option 1 ID : 70796637741  
Option 2 ID : 70796637743  
Option 3 ID : 70796637744  
Option 4 ID : 70796637742  
Status : Not Answered  
Chosen Option : --

Q.4  
0 Which among the following Electronic component works with the principle of Light to Voltage conversion?

- Ans
- 1. Bridge rectifier
  - 2. Zener diode
  - 3. Half-wave rectifier
  - 4. Solar cells

Question ID : 7079669418  
Option 1 ID : 70796637671  
Option 2 ID : 70796637670  
Option 3 ID : 70796637672  
Option 4 ID : 70796637669  
Status : Answered  
Chosen Option : 4

Q.4  
1 What is the use of 'Ctrl + r' key in Microsoft Word

- Ans
- 1. Move the cursor to the bottom of a page
  - 2. Move the cursor to the left of a page



- 3. Move the cursor to the middle of a page
- 4. Move the cursor to the right of a page

Question ID : 7079669390  
Option 1 ID : 70796637559  
Option 2 ID : 70796637558  
Option 3 ID : 70796637560  
Option 4 ID : 70796637557  
Status : Answered  
Chosen Option : 4

Q.4  
2 Which of the following is a type of UPS?

- Ans
- 1. Line interactive
  - 2. By-stand by UPS
  - 3. Un-stand by UPS types
  - 4. Uni-stand by UPS types

Question ID : 7079669430  
Option 1 ID : 70796637717  
Option 2 ID : 70796637720  
Option 3 ID : 70796637718  
Option 4 ID : 70796637719  
Status : Answered  
Chosen Option : 1

Q.4  
3 As the colour varies, forward voltage varies, in:

- Ans
- 1. LED
  - 2. LCD TV
  - 3. Colour TV
  - 4. LED TV

Question ID : 7079669421  
Option 1 ID : 70796637684  
Option 2 ID : 70796637683  
Option 3 ID : 70796637681  
Option 4 ID : 70796637682  
Status : Not Answered  
Chosen Option : --

Q.4  
4 Which of the following is a sensor that is able to detect objects without any physical contact?

- Ans
- 1. Electron beam
  - 2. Laser beam
  - 3. Proximity sensor
  - 4. X ray

Question ID : 7079669424  
Option 1 ID : 70796637696

Option 2 ID : 70796637694

Option 3 ID : 70796637693

Option 4 ID : 70796637695

Status : Answered

Chosen Option : 3

Q.4  
5 Which of the given cores of an inductor will have the highest inductance?

- Ans
- 1. Iron
  - 2. Copper
  - 3. Wood
  - 4. Air

Question ID : 7079669380

Option 1 ID : 70796637517

Option 2 ID : 70796637518

Option 3 ID : 70796637519

Option 4 ID : 70796637520

Status : Answered

Chosen Option : 2

Q.4  
6 Which force is responsible for the flow of electron from point A to B through a conductor?

- Ans
- 1. Heat
  - 2. Current
  - 3. Voltage
  - 4. Resistance

Question ID : 7079669376

Option 1 ID : 70796637501

Option 2 ID : 70796637502

Option 3 ID : 70796637503

Option 4 ID : 70796637504

Status : Answered

Chosen Option : 3

Q.4  
7 Which among the following devices is a P-N junction diode with 3 terminals, as per construction

- Ans
- 1. BJT
  - 2. FET
  - 3. UJT
  - 4. SCR

Question ID : 7079669446

Option 1 ID : 70796637783

Option 2 ID : 70796637784

Option 3 ID : 70796637782

Option 4 ID : 70796637781

Status : Answered

Chosen Option : 1

Q.4  
8 Which of the following gates gives output 1 when any one of the input is 1?

- Ans  1. OR  
 2. NOT  
 3. NOR  
 4. AND

Question ID : 7079669413  
Option 1 ID : 70796637651  
Option 2 ID : 70796637650  
Option 3 ID : 70796637649  
Option 4 ID : 70796637652  
Status : Answered  
Chosen Option : 1

Q.4 In which type of counter is the last stage of shift register fed back to D of first stage?

- Ans  1. Ring  
 2. Round  
 3. Johnson  
 4. Strait

Question ID : 7079669444  
Option 1 ID : 70796637774  
Option 2 ID : 70796637773  
Option 3 ID : 70796637775  
Option 4 ID : 70796637776  
Status : Not Answered  
Chosen Option : --

Q.5 What is the decimal value for HEX 2A

- Ans  1. 22  
 2. 42  
 3. 32  
 4. 12

Question ID : 7079669447  
Option 1 ID : 70796637786  
Option 2 ID : 70796637788  
Option 3 ID : 70796637787  
Option 4 ID : 70796637785  
Status : Not Answered  
Chosen Option : --

Q.5 The output of SMPS is \_\_\_\_\_.

- Ans  1. pulsating DC  
 2. voltage sweep  
 3. AC  
 4. DC

Question ID : 7079669440

Option 1 ID : 70796637759

Option 2 ID : 70796637757

Option 3 ID : 70796637760

Option 4 ID : 70796637758

Status : Answered

Chosen Option : 2

Q.5  
2 The input impedance of an ideal Op-amp is \_\_\_\_\_.

- Ans
- 1. 100  $\Omega$
  - 2. Infinite
  - 3. Unity
  - 4. Zero

Question ID : 7079669420

Option 1 ID : 70796637680

Option 2 ID : 70796637679

Option 3 ID : 70796637678

Option 4 ID : 70796637677

Status : Answered

Chosen Option : 2

Q.5  
3 A PN junction diode that \_\_\_\_\_ when activated is called a/an \_\_\_\_\_.

- Ans
- 1. emits photons; LCD
  - 2. emits electrons; diode
  - 3. emits electrons; regulator
  - 4. emits light; LED

Question ID : 7079669435

Option 1 ID : 70796637739

Option 2 ID : 70796637737

Option 3 ID : 70796637738

Option 4 ID : 70796637740

Status : Answered

Chosen Option : 4

Q.5  
4 Hue and saturation are said to collectively describe the:

- Ans
- 1. chromaticity of TV
  - 2. brightness of TV
  - 3. luminance of TV
  - 4. AGC of TV

Question ID : 7079669438

Option 1 ID : 70796637750

Option 2 ID : 70796637751

Option 3 ID : 70796637749

Option 4 ID : 70796637752

Status : Answered

Chosen Option : 1

Q.5  
5 12 V DC and 24 V DC are general operating voltages for:

- Ans
- 1. multi meter
  - 2. analog and digital panel meter
  - 3. industrial lighting
  - 4. domestic lighting

Question ID : 7079669427  
Option 1 ID : 70796637708  
Option 2 ID : 70796637707  
Option 3 ID : 70796637706  
Option 4 ID : 70796637705  
Status : Answered  
Chosen Option : 1

Q.5  
6 Which of the following is a part of SMPS component?

- Ans
- 1. Output filter coil
  - 2. MOSFET
  - 3. Zener diode
  - 4. FET

Question ID : 7079669414  
Option 1 ID : 70796637655  
Option 2 ID : 70796637654  
Option 3 ID : 70796637656  
Option 4 ID : 70796637653  
Status : Not Answered  
Chosen Option : --

Q.5  
7 What is the resultant voltage generated by a 2-Li-Ion cell connected to one lead acid automobile battery in series

- Ans
- 1. 20.4 V
  - 2. 17.4 V
  - 3. 19.4 V
  - 4. 12.5 V

Question ID : 7079669382  
Option 1 ID : 70796637528  
Option 2 ID : 70796637526  
Option 3 ID : 70796637527  
Option 4 ID : 70796637525  
Status : Not Answered  
Chosen Option : --

Q.5  
8 Which of the following converts sound signal into electrical signal?

- Ans
- 1. Microphone
  - 2. Transformer
  - 3. Speaker

4. Crystal

Question ID : 7079669423  
Option 1 ID : 70796637692  
Option 2 ID : 70796637691  
Option 3 ID : 70796637689  
Option 4 ID : 70796637690  
Status : Answered  
Chosen Option : 1

Q.5  
9 When no ac input signals are connected to CE Transistor Load line can be plotted \_\_\_\_\_

- Ans
- 1. VCE vs VCC
  - 2. VCE vs VEE
  - 3. VCE vs Ib
  - 4. VCE vs Ic

Question ID : 7079669394  
Option 1 ID : 70796637574  
Option 2 ID : 70796637576  
Option 3 ID : 70796637573  
Option 4 ID : 70796637575  
Status : Not Answered  
Chosen Option : --

Q.6  
0 Field Effect transistor is:

- Ans
- 1. three junction
  - 2. neither unijunction nor bijunction transistor
  - 3. unijunction transistor
  - 4. Bijunction

Question ID : 7079669403  
Option 1 ID : 70796637612  
Option 2 ID : 70796637611  
Option 3 ID : 70796637609  
Option 4 ID : 70796637610  
Status : Not Answered  
Chosen Option : --

Q.6  
1 Which among the following is full form of SMPS

- Ans
- 1. Switch Mode Power Support.
  - 2. Single Mode Power Supply
  - 3. Switch on Mode Power Supply
  - 4. Switched Mode Power Supply

Question ID : 7079669428  
Option 1 ID : 70796637710  
Option 2 ID : 70796637712  
Option 3 ID : 70796637711



Option 4 ID : 70796637709  
Status : Answered  
Chosen Option : 1

Q.6 Which among the following instruments can generate sine wave with variable frequency and amplitude?

2

- Ans
- 1. CRO
  - 2. Function generator
  - 3. LCR meter
  - 4. DSO

Question ID : 7079669387  
Option 1 ID : 70796637545  
Option 2 ID : 70796637546  
Option 3 ID : 70796637548  
Option 4 ID : 70796637547  
Status : Answered  
Chosen Option : 2

Q.6 The SMPS is used to transform power from AC or DC to:

3

- Ans
- 1. AC and DC load
  - 2. AC load
  - 3. RLC circuit load
  - 4. DC load

Question ID : 7079669429  
Option 1 ID : 70796637715  
Option 2 ID : 70796637713  
Option 3 ID : 70796637716  
Option 4 ID : 70796637714  
Status : Not Answered  
Chosen Option : --

Q.6 Scale of PMMC instrument is \_\_\_\_\_.

4

- Ans
- 1. Cubed
  - 2. 4<sup>th</sup> power
  - 3. Uniform
  - 4. Squared

Question ID : 7079669386  
Option 1 ID : 70796637543  
Option 2 ID : 70796637541  
Option 3 ID : 70796637544  
Option 4 ID : 70796637542  
Status : Not Answered  
Chosen Option : --

Q.6 Photo transistor is used for:

5

Ans

- 1. direct coupling
- 2. LC coupling
- 3. RC coupling
- 4. isolation

Question ID : 7079669408  
Option 1 ID : 70796637629  
Option 2 ID : 70796637632  
Option 3 ID : 70796637631  
Option 4 ID : 70796637630  
Status : Not Answered  
Chosen Option : --

Q.6  
6 Darlington pair is used for:

- Ans
- 1. voltage and current amplification
  - 2. current amplification
  - 3. voltage amplification.
  - 4. power amplification.

Question ID : 7079669400  
Option 1 ID : 70796637600  
Option 2 ID : 70796637598  
Option 3 ID : 70796637597  
Option 4 ID : 70796637599  
Status : Not Answered  
Chosen Option : --

Q.6  
7 What is the peak to peak voltage for an AC voltage with RMS 220 V? (Consider square root of 2 as 1.4)

- Ans
- 1. 110 V
  - 2. 616 V
  - 3. 250 V
  - 4. 308 V

Question ID : 7079669377  
Option 1 ID : 70796637508  
Option 2 ID : 70796637506  
Option 3 ID : 70796637507  
Option 4 ID : 70796637505  
Status : Not Answered  
Chosen Option : --

Q.6  
8 Fibre optic power meters have input for attaching fibre optic connector and detector to capture:

- Ans
- 1. gama rays
  - 2. light rays
  - 3. X rays
  - 4. Ultra violet rays

Question ID : 7079669425  
Option 1 ID : 70796637698  
Option 2 ID : 70796637699  
Option 3 ID : 70796637697  
Option 4 ID : 70796637700  
Status : Answered  
Chosen Option : 2

Q.6 Which one of the following TV technology displays Image by blocking white light

- Ans
- 1. LCD TV
  - 2. Colour TV
  - 3. Portable black and white TV
  - 4. Black and white TV

Question ID : 7079669437  
Option 1 ID : 70796637747  
Option 2 ID : 70796637746  
Option 3 ID : 70796637748  
Option 4 ID : 70796637745  
Status : Answered  
Chosen Option : 1

Q.7 Schmitt trigger is used in:

- Ans
- 1. Hartley Oscillator
  - 2. Crystal Oscillator
  - 3. Colpitts Oscillator
  - 4. Relaxation Oscillator

Question ID : 7079669401  
Option 1 ID : 70796637601  
Option 2 ID : 70796637603  
Option 3 ID : 70796637602  
Option 4 ID : 70796637604  
Status : Answered  
Chosen Option : 1

Q.7 UJT is used to generate:

- Ans
- 1. sine wave
  - 2. square wave
  - 3. triangle wave
  - 4. sawtooth wave

Question ID : 7079669405  
Option 1 ID : 70796637617  
Option 2 ID : 70796637618  
Option 3 ID : 70796637619  
Option 4 ID : 70796637620  
Status : Answered

Chosen Option : 2

Q.7  
2 MOSFET has:

- Ans
- 1. low input resistance and high output resistance
  - 2. high input resistance and high output resistance
  - 3. low input resistance and low output resistance
  - 4. high input resistance and low output resistance

Question ID : 7079669406

Option 1 ID : 70796637621

Option 2 ID : 70796637622

Option 3 ID : 70796637624

Option 4 ID : 70796637623

Status : Not Answered

Chosen Option : --

Q.7  
3 Which of the following converts a physical parameter to an electrical signal?

- Ans
- 1. Transformer
  - 2. Crystal
  - 3. Speaker
  - 4. Transducer

Question ID : 7079669409

Option 1 ID : 70796637635

Option 2 ID : 70796637634

Option 3 ID : 70796637633

Option 4 ID : 70796637636

Status : Answered

Chosen Option : 4

Q.7  
4 What is WAN, with respect to computer network?

- Ans
- 1. Wireless Area Network
  - 2. Wide Area Network
  - 3. Wired Area Network
  - 4. World Area Network

Question ID : 7079669391

Option 1 ID : 70796637561

Option 2 ID : 70796637563

Option 3 ID : 70796637562

Option 4 ID : 70796637564

Status : Answered

Chosen Option : 2

Q.7  
5 What is the voltage generated by an alkaline cell used in wall clock?

- Ans
- 1. 1.2 V
  - 2. 1.5 V

3. 0.7 V

4. 1.0 V

Question ID : 7079669381

Option 1 ID : 70796637523

Option 2 ID : 70796637524

Option 3 ID : 70796637521

Option 4 ID : 70796637522

Status : Answered

Chosen Option : 2

www.govtjobsalert.in